

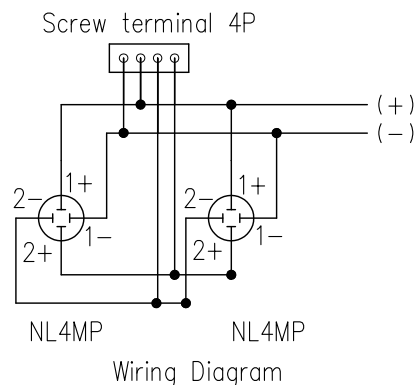
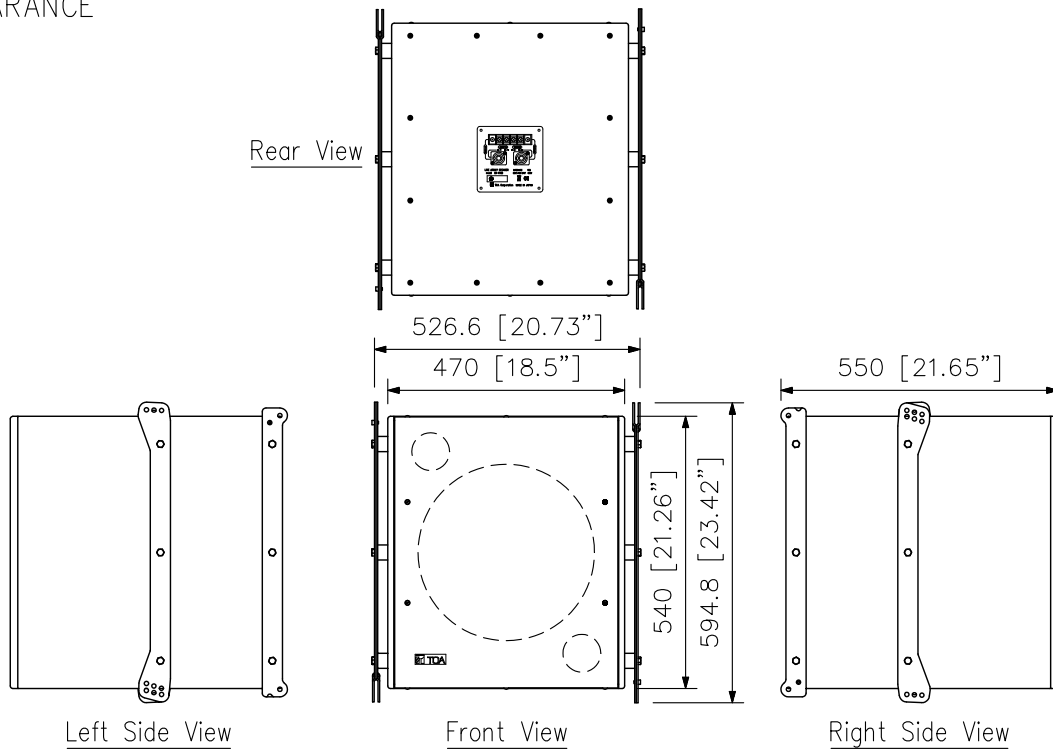
DESCRIPTION

The SR-C15B Sub-woofer system is designed to be used in conjunction with the SR-C8L or SR-C8S Line Array Speaker.
Recommended digital processor is the DP-0206 (optional).

SPECIFICATIONS

Enclosure	Bass-reflex type
Power Handling Capacity	Continuous program: 450 W
Rated Impedance	8 Ω
Sensitivity	93 dB (1 W, 1 m)
Frequency Response	40 - 400 Hz (when driven with the optional DP-0206's recommended parameters)
Crossover Frequency	125 Hz (when driven with the optional DP-0206's recommended parameters)
Speaker Component	38 cm (15") cone-type
Input Connector	M5 screw terminal, distance between barriers: 12.2 mm (0.48") and Neutrik NL4MP × 2
Finish	Enclosure: Plywood, black, urethane paint Front grille: Punched steel plate, black, paint
Dimensions	526.6 (W) × 594.8 (H) × 550 (D) mm (20.73" × 23.42" × 21.65")
Weight	41 kg (90.39 lb)
Accessory	M8 connection bolt ×4
Option	Rigging frame: SR-RF8 Digital processor: DP-0206

APPEARANCE



UNIT:mm SCALE:1/15